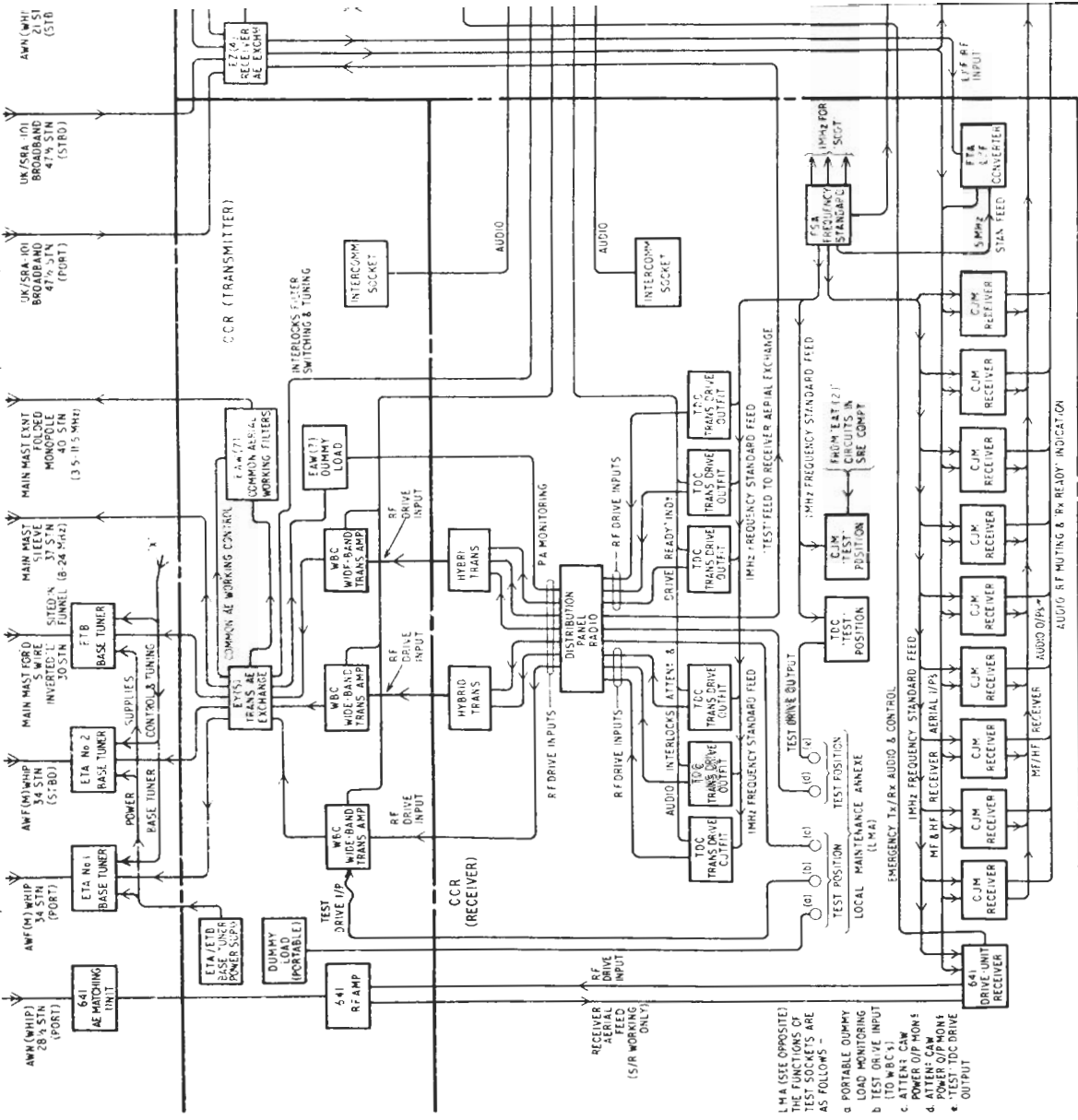


HY/ME

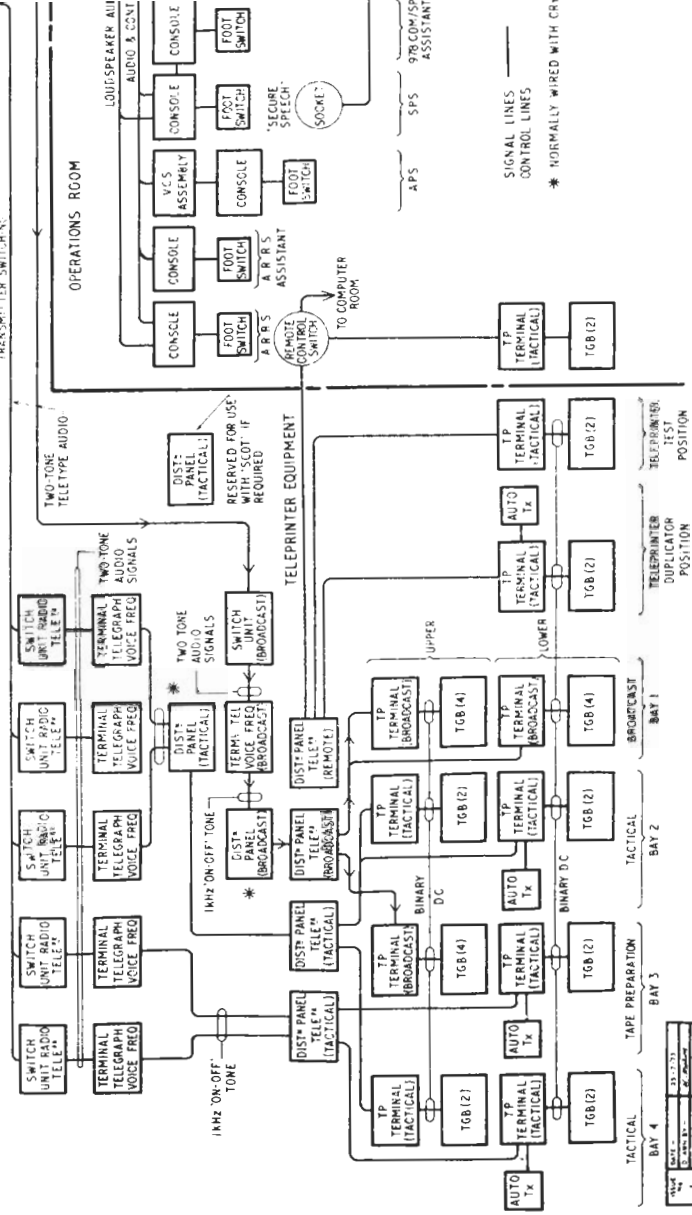
EMERGENCY
TRANS RECEIVER

TRANSMITTERS

RECEIVERS



LMA (SEE OPPOSITE)
THE FUNCTIONS OF THE TEST SOCKETS ARE AS FOLLOWS -
a PORTABLE DUMMY LOAD MONITORING
b TEST DRIVE INPUT
c ATTEN. C/W
d. ATTN. C/W
e. POWER O/P MON. S
f. POWER O/P MON. S
g. TEST TDC DRIVE OUTPUT



100-200-100
100-200-100

20-10-10

SIGNAL LINES
CONTROL LINES
* NORMALLY WIRED WITH CR